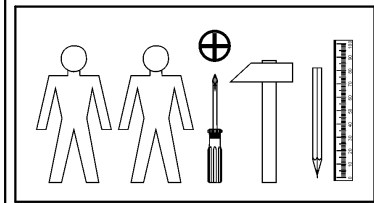
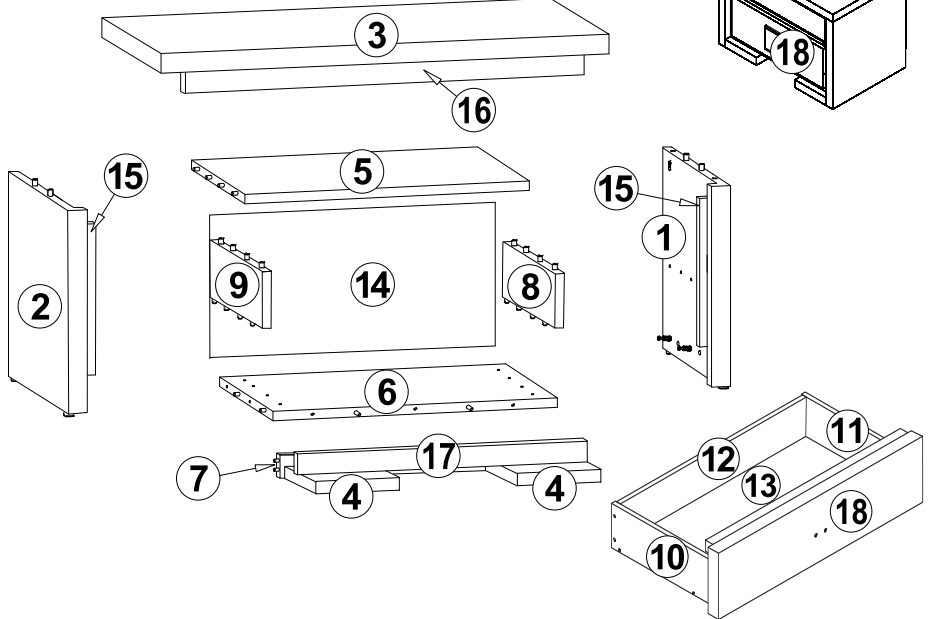
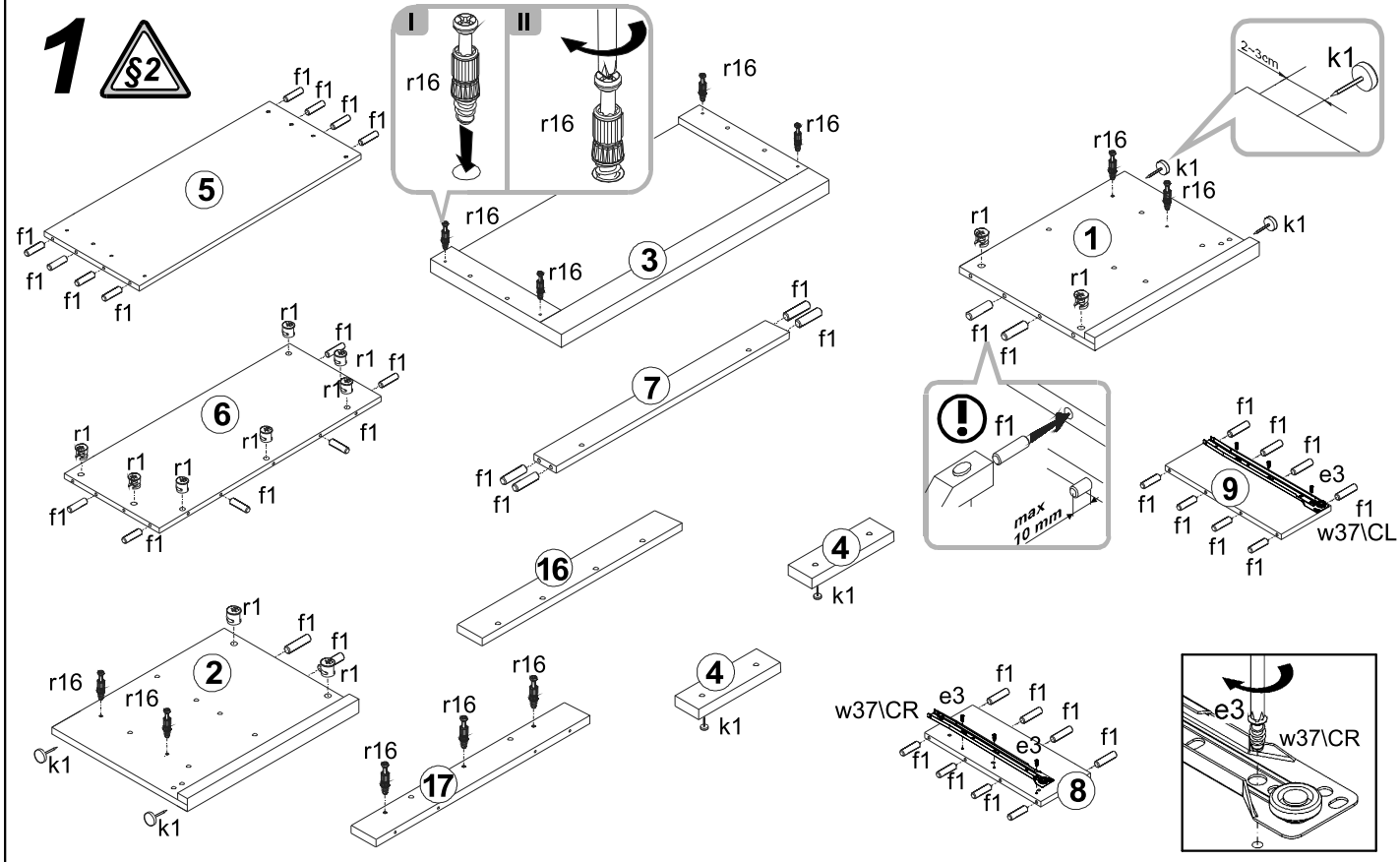


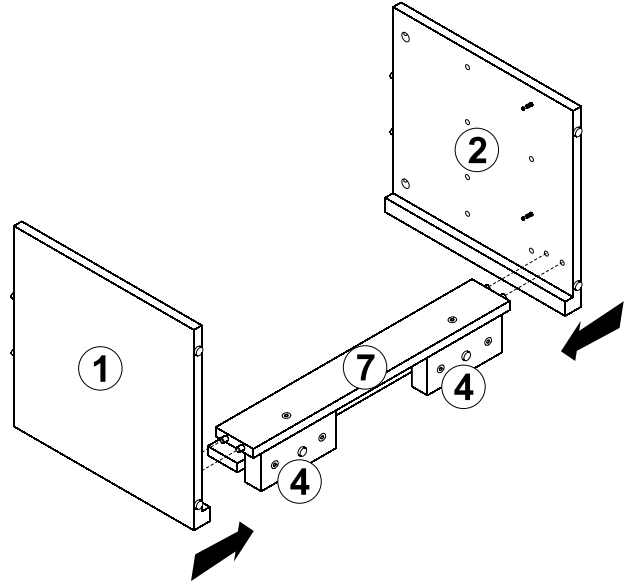
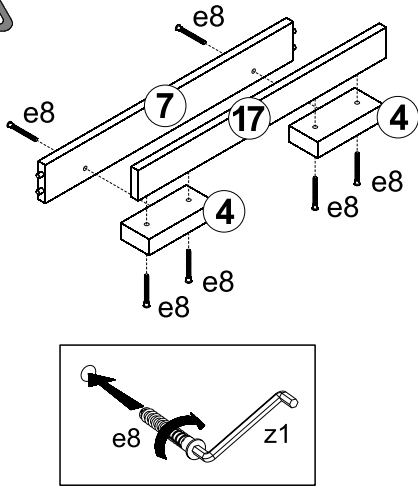
| A  | B       | C   |     | D   |
|----|---------|-----|-----|-----|
| 1  | NK1-118 | 363 | 350 | 1/2 |
| 2  | NK1-116 | 363 | 350 | 1/2 |
| 3  | NK1-205 | 550 | 351 | 1/2 |
| 4  | NK1-510 | 150 | 65  | 1/2 |
| 5  | NK1-305 | 517 | 309 | 1/2 |
| 6  | NK1-306 | 517 | 309 | 1/2 |
| 7  | NK1-416 | 517 | 76  | 1/2 |
| 8  | NK1-121 | 309 | 113 | 1/2 |
| 9  | NK1-120 | 309 | 113 | 1/2 |
| 10 | NK1-513 | 300 | 65  | 1/2 |
| 11 | NK1-512 | 300 | 65  | 1/2 |
| 12 | NK1-514 | 370 | 65  | 1/2 |
| 13 | NK1-904 | 385 | 300 | 1/2 |
| 14 | NK1-905 | 314 | 545 | 1/2 |
| 15 | NK1-418 | 242 | 45  | 1/2 |
| 16 | NK1-420 | 489 | 42  | 1/2 |
| 17 | NK1-421 | 517 | 60  | 1/2 |
| 18 | NK1-026 | 442 | 165 | 2/2 |



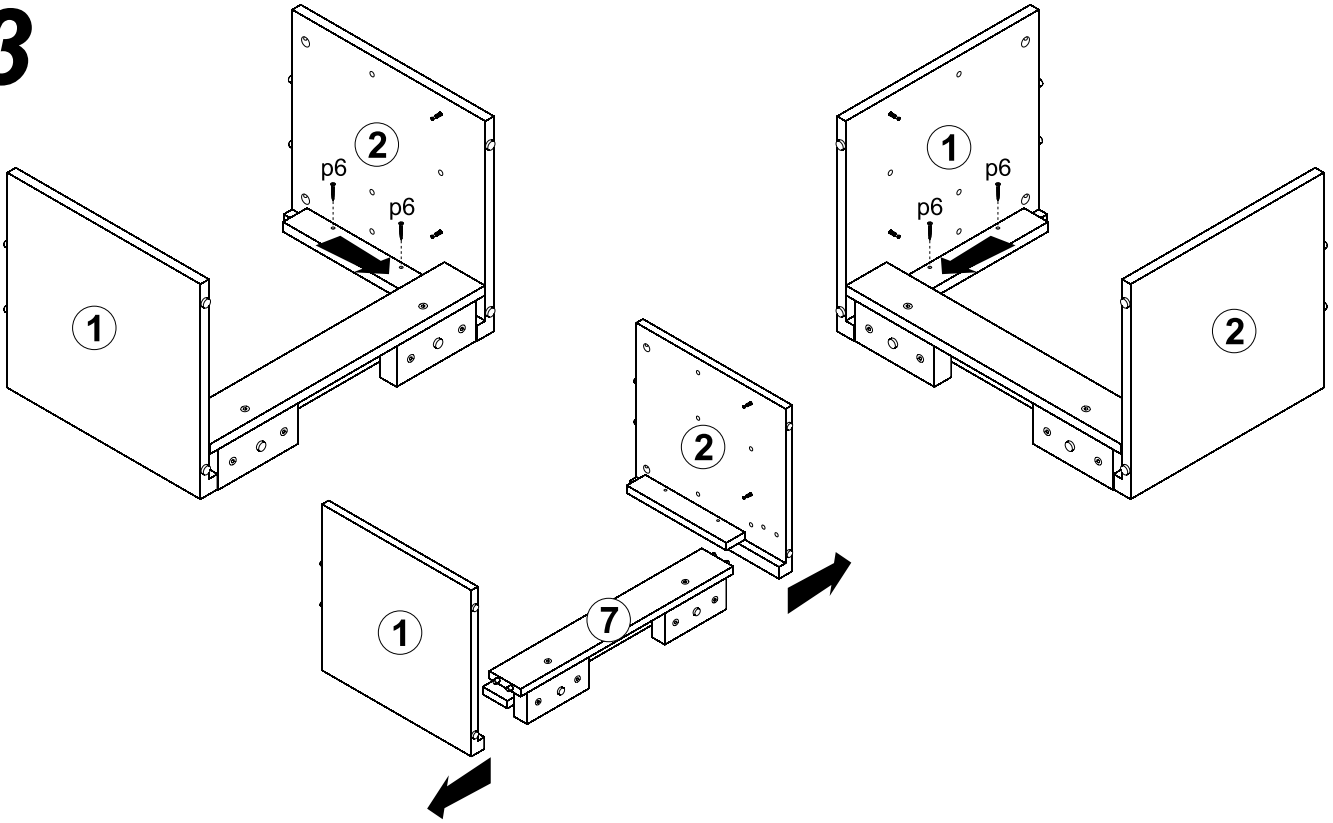
|                           |                      |                       |                       |                       |                       |
|---------------------------|----------------------|-----------------------|-----------------------|-----------------------|-----------------------|
| 1x<br>160 mm<br>c212      | 2x<br>M4x25 mm<br>j8 | 6x<br>φ7x60 mm<br>e8  | 4x<br>φ5x50 mm<br>e32 | 40x<br>φ8x30 mm<br>f1 | 13x<br>20/9<br>r16    |
| 13x<br>φ15x12mm #16<br>r1 | 6x<br>φ16<br>s2      | 8x<br>φ4x35 mm<br>p6  | 4x<br>φ3x12 mm<br>p54 | 6x<br>φ6x13 mm<br>e3  | 25x<br>l1             |
| 6x<br>k1                  | 1x<br>z1             | 1x<br>300 mm<br>w37DR | 1x<br>300 mm<br>w37CR | 1x<br>300 mm<br>w37DL | 1x<br>300 mm<br>w37CL |



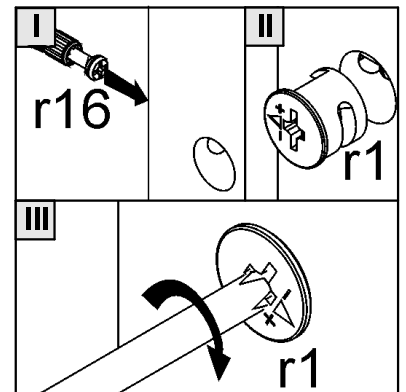
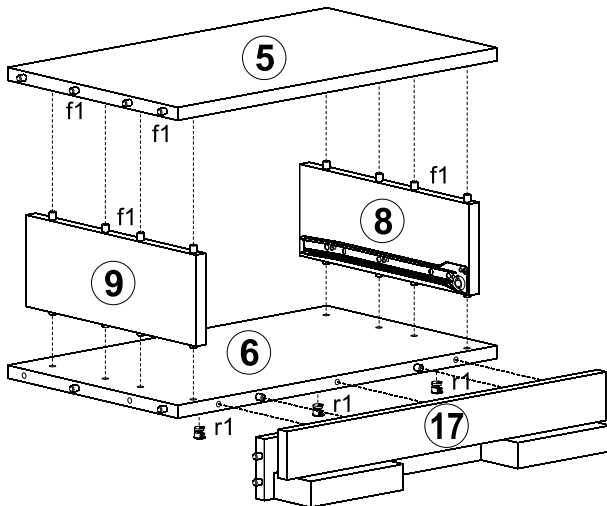
# 2



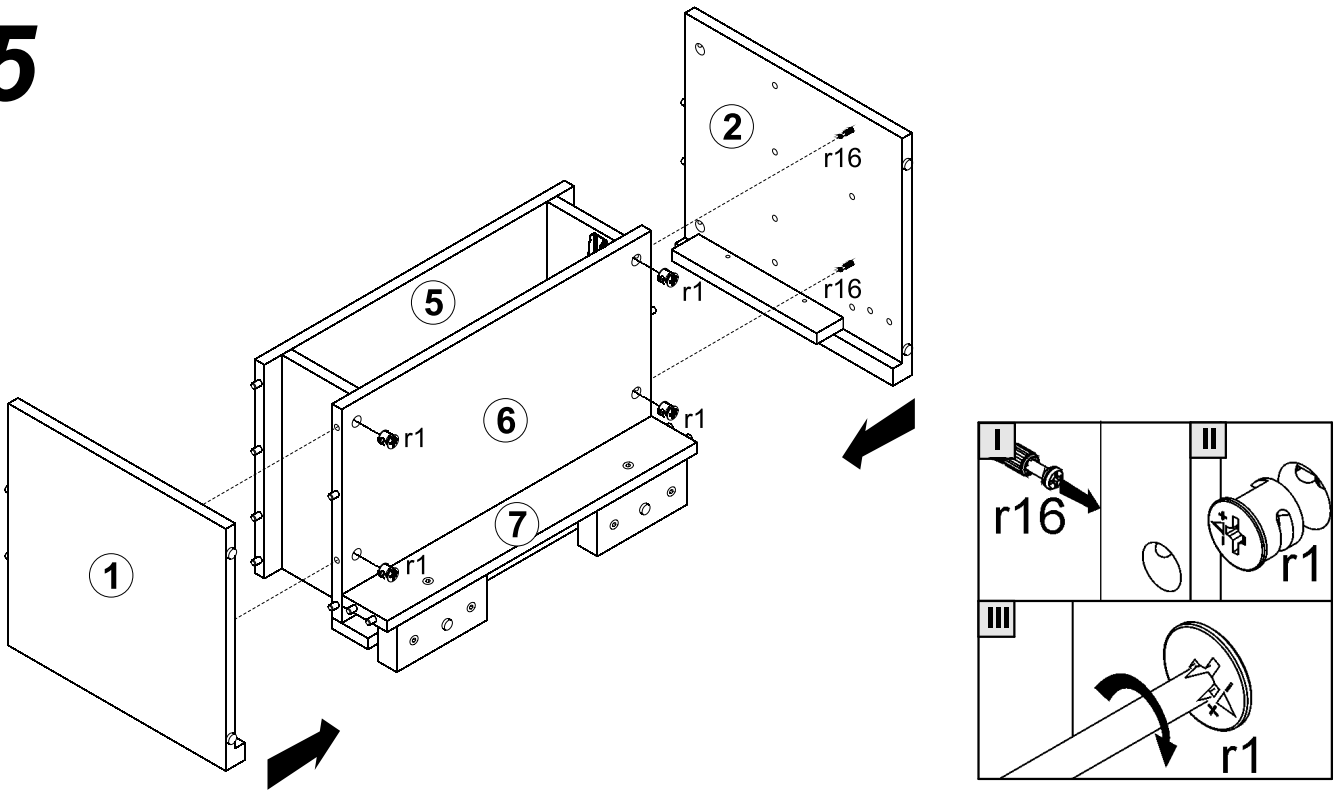
# 3



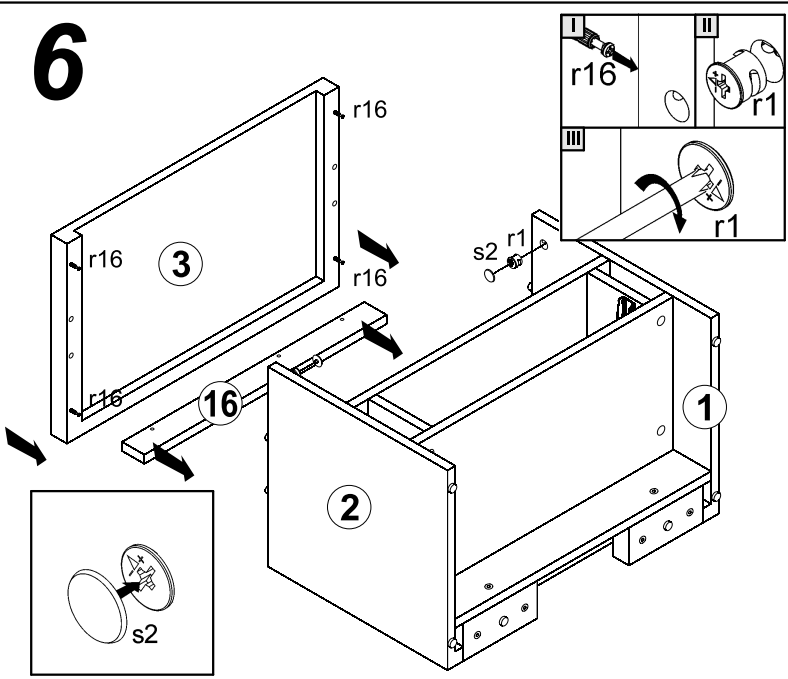
# 4



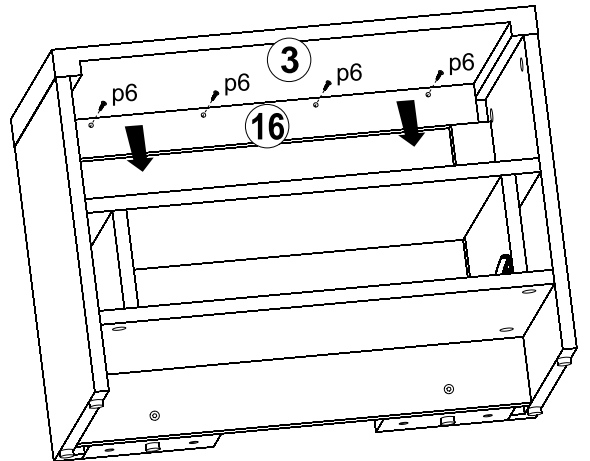
# 5



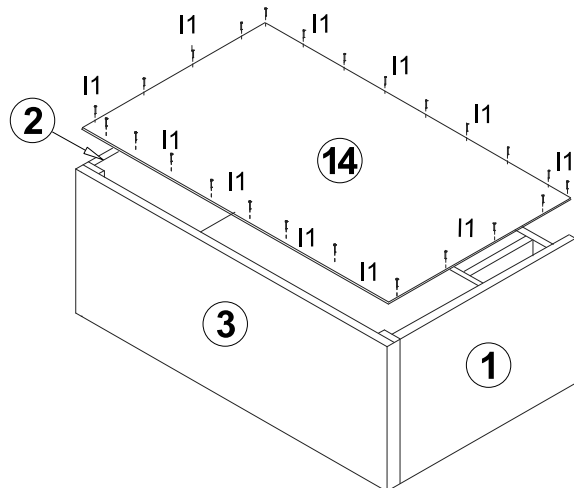
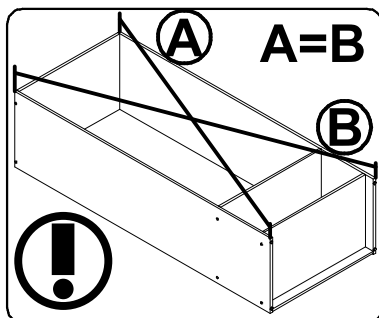
# 6



# 7



# 8



# 9

